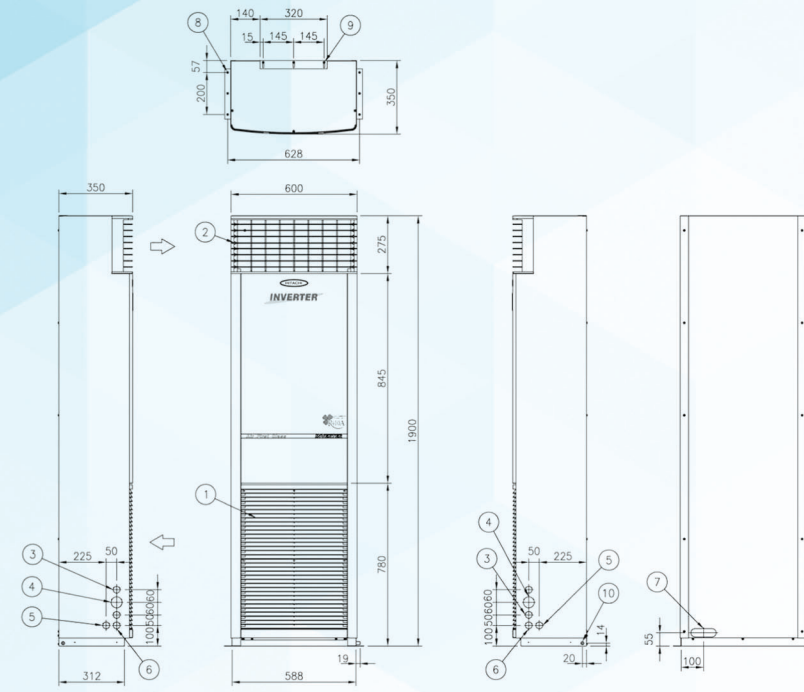


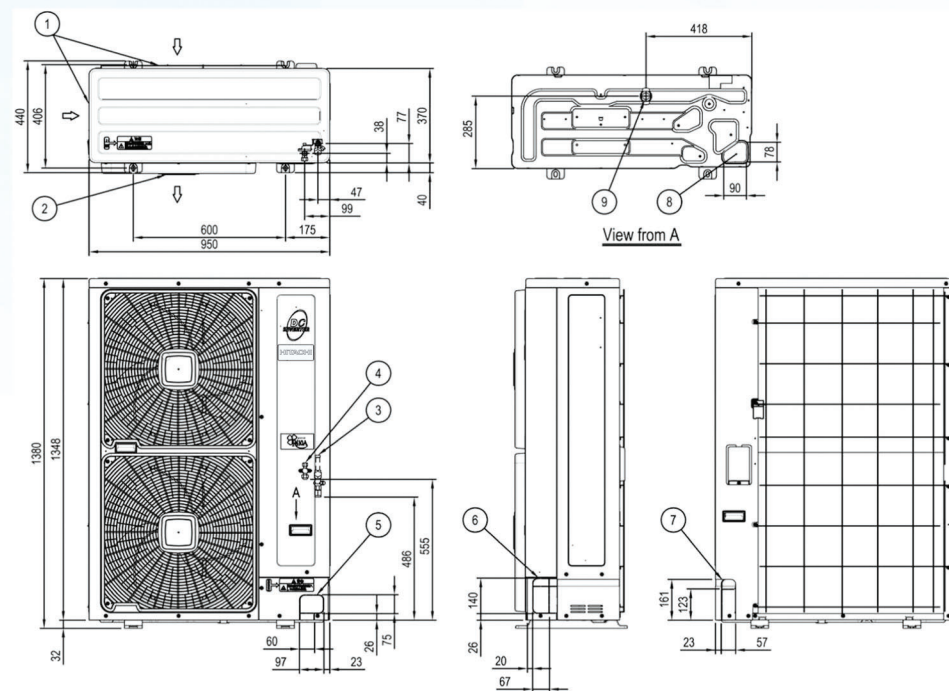
INDOOR UNIT DIMENSIONS



RPS-140AN

Mark	Name
1	Air Inlet Grille
2	Air Outlet Grille
3	Knockout Hole For Liquid Line (Ø 32.5 - Both Sides)
4	Knockout Hole For Gas Line (Ø 52 - Both Sides)
5	Knockout Hole for Condensate Drain Connection (Ø 32.5 - Both Sides)
6	Knockout Hole for Operation Circuit Wiring (Ø 32.5 - Both Sides)
7	Rounded End Hole for Refrigerant, Drainage Piping and Operation Circuit Wiring (Rear Side)
8	Floor Mounting Plate
9	Wall Mounting Plate
10	Drainage Outlet (For Cleaning)

OUTDOOR UNIT DIMENSIONS



RAM-140FPS RAM-140FPS(B)

Mark	Name
1	Air Inlet Grille
2	Air Outlet Grille
3	Gas Refrigerant Piping Connection (Ø 15.88 Flare Nut Connection)
4	Liquid Refrigerant Piping Connection (Ø 9.53 Flare Nut Connection)
5	Connection Hole for Front Extension Piping (Ø 7x75 Knockout Hole)
6	Connection Hole for Right Extension Piping (Ø 7x140 Knockout Hole)
7	Connection Hole for Rear Extension Piping (Ø 7x161 Knockout Hole)
8	Connection Hole for Down Extension Piping (Ø 9x78 Knockout Hole)
9	Drain Connection (Ø 26)

UNIT GENERAL DATA

Model	Indoor Unit		RPS-90AN		RPS-140AN		
	Outdoor Unit		RAC-90JB		RAM-140FPS RAM-140FPS(B)		
Power Source	Indoor Unit		230VAC/60Hz, Single Phase				
	Outdoor Unit		230VAC/60Hz, Single Phase		230VAC/60Hz, Single/Three Phase		
Nominal Cooling Capacity at 35°C Outdoor Temperature	kcal/h		9,180		12,040		
	kJ/h		38,450		50,420		
	Btu/h		36,430		47,800		
Nominal Dehumidifying Capacity	Liters/h		4.0		5.4		
	Indoor Unit	Outer Dimension	Height	mm	1,750	1,900	
Depth			mm	350	350		
Width		mm	600	600			
Fan Motor	Output	kW x Q'ty	0.22 x 1		0.15 x 1		
	Nominal Air Flow	Hi	m ³ /min	27		32	
Me		m ³ /min	23		28		
Lo		m ³ /min	20		24		
Outdoor Unit	Outer Dimension	Height	mm	885		1,380	
		Depth	mm	345		370	
	Width	mm	920		950		
Fan Motor	Output	kW x Q'ty	0.1 x 1		0.074 x 2		
	Nominal Air Flow	m ³ /min	55		100		
Net Weight			60		96		
	Refrigerant		R410A				
Refrigerant Piping Connections	Type		Flare Nut				
	Gas Line Size (O.D.)	mm (in)	15.88 (5/8)		15.88 (5/8)		
	Liquid Line Size (O.D.)	mm (in)	6.35 (1/4)		9.53 (3/8)		
	Max. Piping Length	m (ft)	30 (90)		75 (225)		
	Max. Vertical Lift	m (ft)	15 (45)		30 (90)		
Electrical Data	Power Input	kW	3.41		4.2		
	Starting Current	A	11.9		14.0 8.0		
	Running Current	A	15.0		21.5 12.4		
Energy Efficiency Ratio	kJ/hW	11.2		12.0			
Cabinet (Color)		Synthetic Resin Painted on Galvanized Steel Plate (Beige)					
Compressor x Quantity		Hermetic Scroll x 1					
Control of Refrigerant Flow		Electrical Expansion Valve					
Heat Exchanger Type		Multi-Pass Cross-Finned Tube					
Operation Control	Type (Model)		Wired Remote Control Switch (RC-A01ET)		Wired Remote Control Switch (PC-AR)		
	Function	Mode	Fan, Cool, Dehumidify				
		Fan Speed	Hi, Me, Lo, QLo		Hi, Me, Lo		
		OFF Timer	0-24 Hours				
Air Swing	On, Off						
Safety Devices	Compressor Over Current Relay		Included				
	Compressor Discharge Thermostat		Included				
	High Pressure Switch		-----		Included		
	Reverse Phase Protection Relay		-----		Included		
	Fuse for Control Circuit		Included				
Fuse for Outdoor Fan Motor		Included					

IMPORTANT NOTE: (Temperature Working Range) Indoor Temperature: 21°C to 32°C, Outdoor temperature: 21°C to 43°C

Manila Office: Tel: (02) 362-4847 Fax: (02) 362-1769 Service: (02) 362-3842
Cebu Office: Tel: (032) 232-6634 Fax: (032) 231-7533 Service: (032) 232-8831

Specifications in this catalog are subject to change without any notice in order that HITACHI may bring the latest innovations to our customers.



INVSLIM-1701

HITACHI

INVERTER SLIM TYPE PACKAGE



SPACE SAVING



THE NEXT GENERATION AIR CONDITIONING



HITACHI
Air conditioning solutions



Hitachi Air Conditioner Philippines

HITACHI

Slim profile and simplified piping uses minimal floor area so you can have more space for your business.

WHY CHOOSE FULL DC INVERTER TECHNOLOGY?

FULL DC INVERTER TECHNOLOGY

3 INVERTERS IN 1

- 1 DC COMPRESSOR
- 2 DC FAN MOTOR
- 3 DC INVERTER MODULE

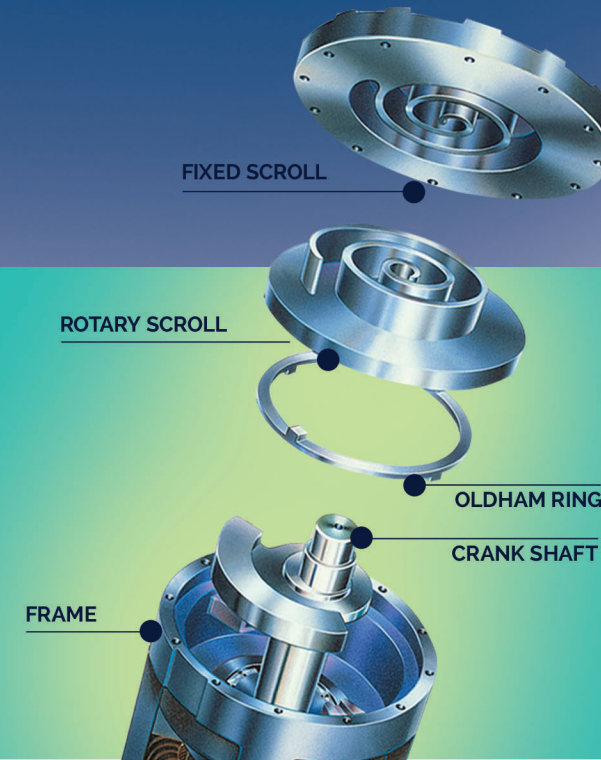


While all inverter air conditioners are equipped with an inverterized compressor, Hitachi units with Full DC Inverter technology feature **NOT JUST ONE BUT THREE DC inverter** components—**Compressor, Inverter Module, and Fan Motor.** These work together efficiently, providing higher EERs that deliver the cooling comfort you deserve while consuming less power.

You get more savings on your electricity bill!

HIGH EFFICIENCY DC INVERTER SCROLL COMPRESSOR

By combining the DC Inverter motor with the driving mechanism, the unit achieves high performance while maintaining low power consumption. Plus, it effectively reduces the unit's weight up to 50%.



PAM Frequency Controller

lets the unit reach setup temperature quicker while using minimal electricity.

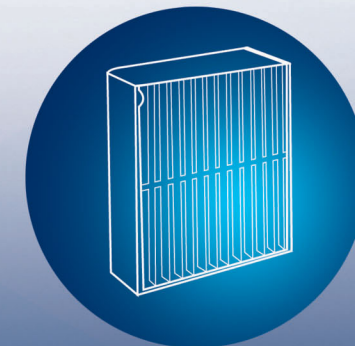
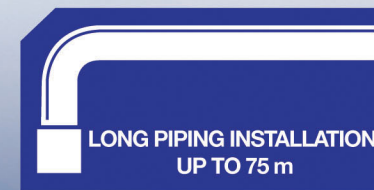
Self-Demand Control

automatically adjusts its power consumption according to your selected operation mode.

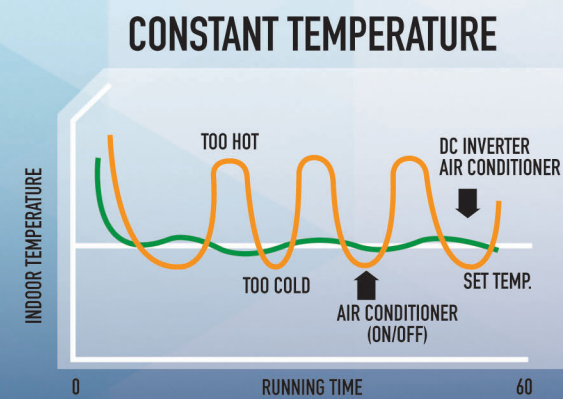
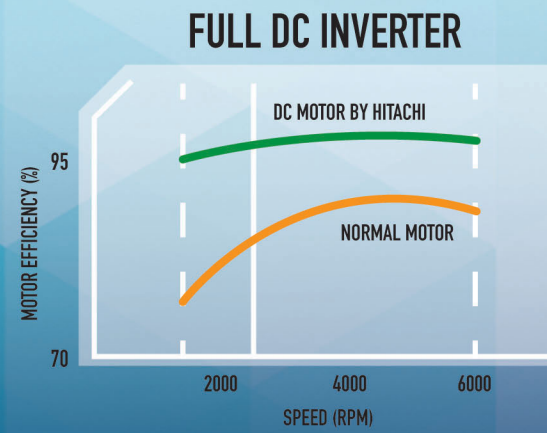
New Wave Mode

turns the unit on or off automatically between intervals to further lower power consumption.

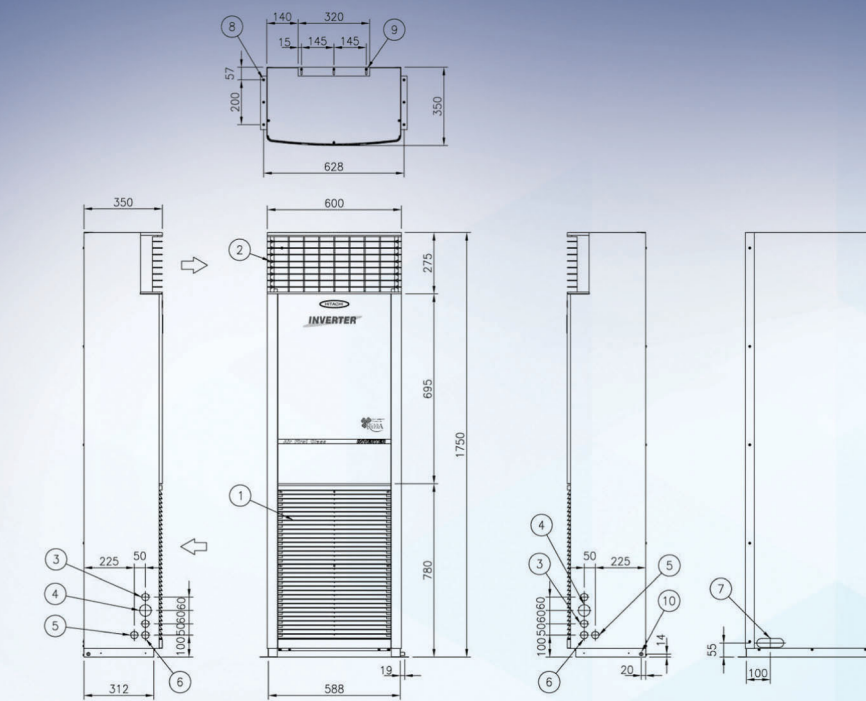
OTHER FEAUTRES



AION Filter for cleaner air



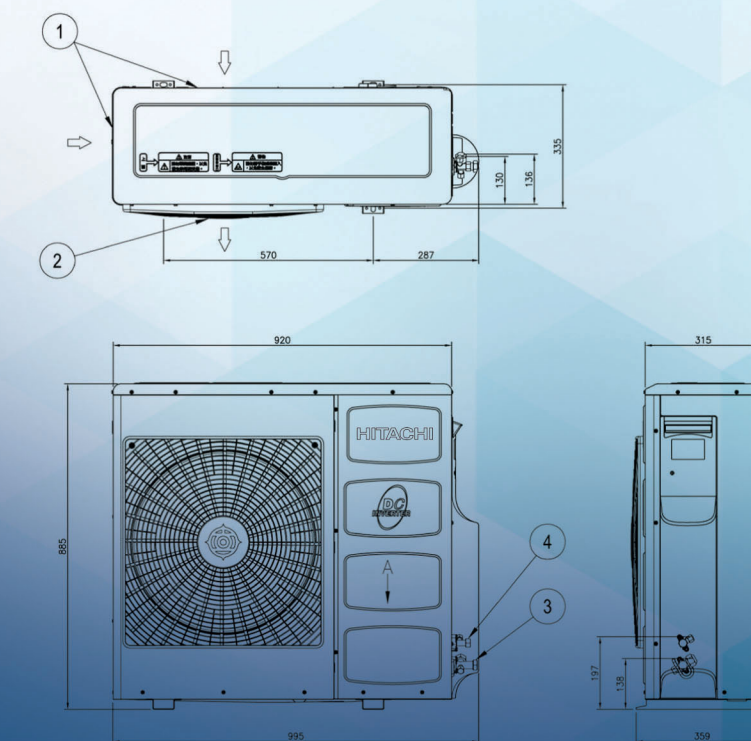
INDOOR UNIT DIMENSIONS



RPS-90AN

Mark	Name
1	Air Inlet Grille
2	Air Outlet Grille
3	Knockout Hole For Liquid Line (Ø 32.5 - Both Sides)
4	Knockout Hole For Gas Line (Ø 52 - Both Sides)
5	Knockout Hole for Condensate Drain Connection (Ø 32.5 - Both Sides)
6	Knockout Hole for Operation Circuit Wiring (Ø 32.5 - Both Sides)
7	Rounded End Hole for Refrigerant, Drainage Piping and Operation Circuit Wiring (Rear Side)
8	Floor Mounting Plate
9	Wall Mounting Plate
10	Drainage Outlet (For Cleaning)

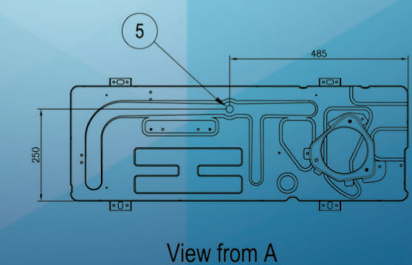
OUTDOOR UNIT DIMENSIONS



RAC-90JB



Mark	Name
1	Air Inlet Grille
2	Air Outlet Grille
3	Gas Refrigerant Piping Connection (Ø 15.88 Flare Nut Connection)
4	Liquid Refrigerant Piping Connection (Ø 6.35 Flare Nut Connection)
5	Drain Connection (Ø 20)



View from A